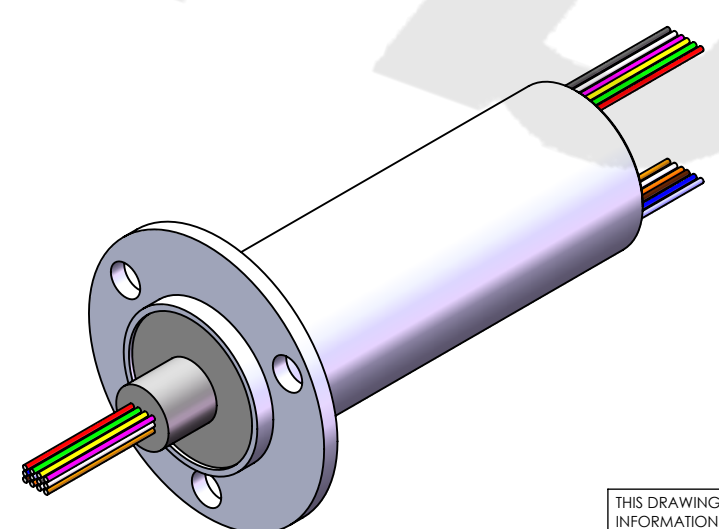
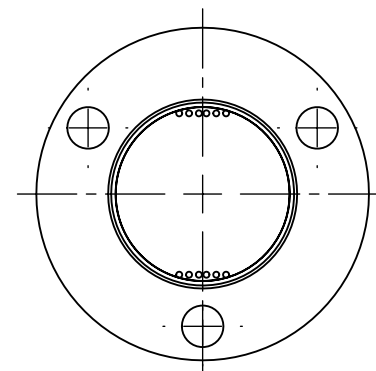
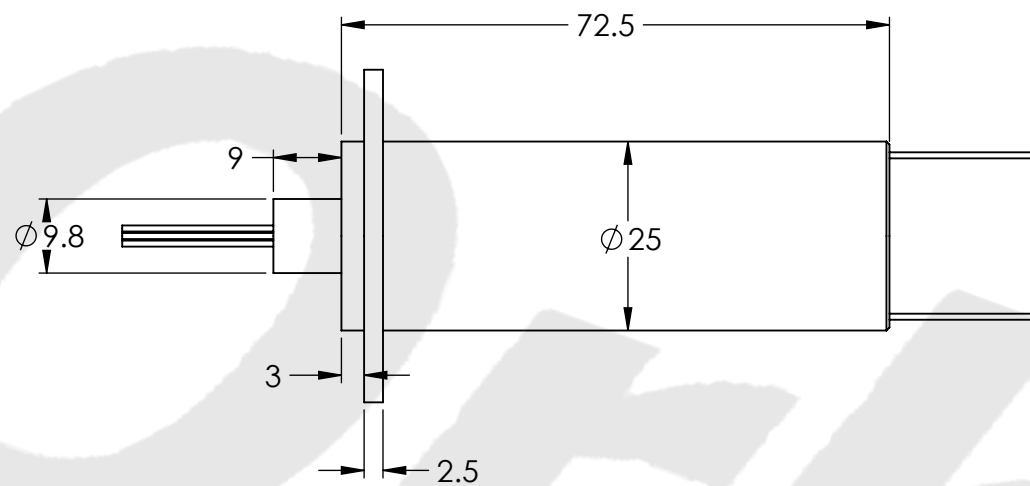
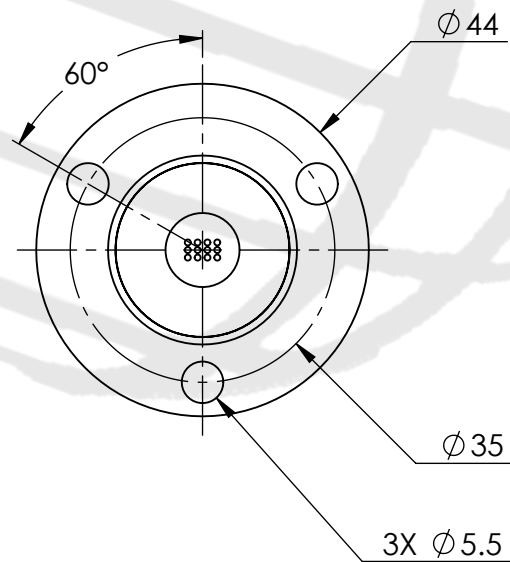


|            |                                | REVISIONS |                      |     |     |     |     |      |     |     |     |     |         |         |         |         |         |          |          |         |         |         |         |
|------------|--------------------------------|-----------|----------------------|-----|-----|-----|-----|------|-----|-----|-----|-----|---------|---------|---------|---------|---------|----------|----------|---------|---------|---------|---------|
|            |                                | REV.      | DESCRIPTION          |     |     |     |     |      |     |     |     |     |         |         |         |         |         | DATE     | APPROVED |         |         |         |         |
|            |                                | 1         | Customer Information |     |     |     |     |      |     |     |     |     |         |         |         |         |         | 1/1/2014 | WRH      |         |         |         |         |
| 1          | Stator Exit 1 Red Shrink Tube  |           |                      |     |     |     |     |      |     |     |     |     |         |         |         |         |         |          |          |         |         |         |         |
| Ring No.   | 1                              | 3         | 5                    | 7   | 9   | 11  | 13  | 15   | 17  | 19  | 21  | 23  | 25      | 27      | 29      | 31      | 33      | 35       | 37       | 39      | 41      | 43      | 45      |
| Color Code | RED                            | GRN       | YEL                  | PUP | GRY | BLK | BLU | DBLU | BRN | ORN | WHT | KHK | WHT-RED | WHT-BLK | WHT-BLU | WHT-PUP | WHT-BRN | WHT-GRN  | WHT-ORN  | WHT-YEL | WHT-GRY | BLK-RED | BLK-BLU |
| 2          | Stator Exit 2 Blue Shrink Tube |           |                      |     |     |     |     |      |     |     |     |     |         |         |         |         |         |          |          |         |         |         |         |
| Ring No.   | 2                              | 4         | 6                    | 8   | 10  | 12  | 14  | 16   | 18  | 20  | 22  | 24  | 26      | 28      | 30      | 32      | 34      | 36       | 38       | 40      | 42      | 44      | 46      |
| Color Code | RED                            | GRN       | YEL                  | PUP | GRY | BLK | BLU | DBLU | BRN | ORN | WHT | KHK | WHT-RED | WHT-BLK | WHT-BLU | WHT-PUP | WHT-BRN | WHT-GRN  | WHT-ORN  | WHT-YEL | WHT-GRY | BLK-RED | BLK-BLU |



| TECHNICAL DATA             |  |
|----------------------------|--|
| NUMBER OF CIRCUITS         | 46   |
| RATED VOLTAGE              | 240 VDC/AC   |
| DIELECTRIC STRENGTH        | 500VAC@50Hz  |
| RATED CURRENT              | 2A/RING  |
| NOMINAL SPEED              | 300 RPM  |
| INSULATION RESISTANCE      | 1000 MΩ/500VDC   |
| DYNAMIC CONTACT RESISTANCE | <10 mΩ   |
| CONTACT MATERIAL SURFACE   | GOLD-GOLD  |
| LEAD                       | 26 AWG, COLOR CODE, SILVER PLATED, PTFE INSULATED LEAD WIRES |
| STANDARD LEAD LENGTH       | 250MM  |
| TEMPERATURE                | -20°C to + 80°C  |
| BEARINGS                   | MINIATURE, PRECISION STEEL BEARINGS                          |
| HOUSING                    | ALUMINUM   |
| PROTECTION                 | IP51   |

THIS DRAWING CONTAINS PROPRIETARY INFORMATION OF THE ORBEX GROUP AND MAY NOT BE IN WHOLE OR IN PART DUPLICATED OR DISCLOSED OR USED FOR MANUFACTURE OF ANY PART DISCLOSED HEREIN WITHOUT WRITTEN PERMISSION OF THE ORBEX GROUP.

**CONFIDENTIAL**

|   |                        |                               |                 |
|---|------------------------|-------------------------------|-----------------|
| UNLESS OTHERWISE SPECIFIED:<br>DRAWING SYMBOLS & TOLERANCES PER ANSI Y14.5<br>DIMENSIONS ARE METRIC<br>TOLERANCES:<br>DECIMALS    LINEAR    ANGULAR<br>.X            ±0.2            ±0.5DEG<br>.XX          ±0.02          ±0.2DEG<br>.XXX        ±0.005        ±0.01DEG |                        | <b>Orbex Group</b>            |                 |
| INTERPRET GEOMETRIC TOLERANCING PER: ANSI Y14.5   |                        | TITLE:<br><b>Slip Ring</b>    |                 |
| MATERIAL<br>SEE CHART   | SIZE<br><b>B</b>       | PRT. NO.<br><b>325M1-4600</b> | REV<br><b>1</b> |
| FINISH<br>CLEAN   | DRAWN<br>MRJ 3/28/2014 | SCALE: 1:2                    | SHEET 1 OF 1    |