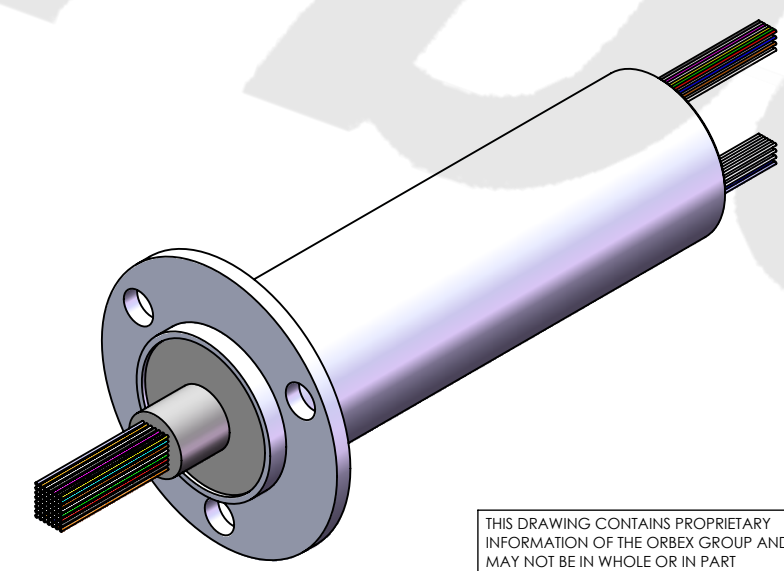
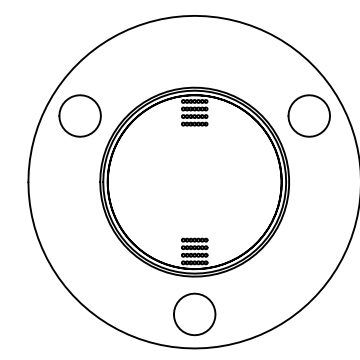
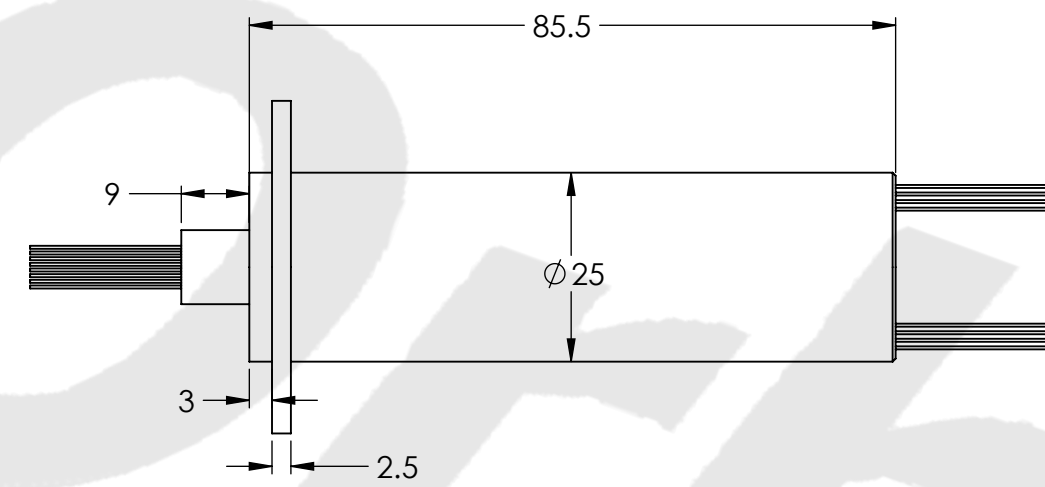
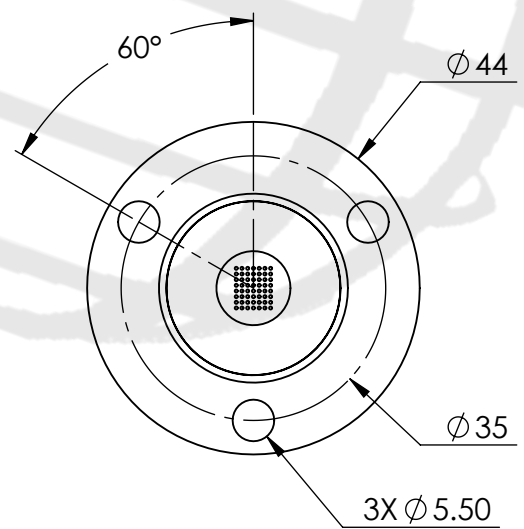


1	Stator Exit 1 Red Shrink Tube													
Ring No.	1	5	9	13	17	21	25	29	33	37	41	45	49	53
Color Code	RED	GRN	YEL	PUP	GRY	BLK	BLU	DBLU	BRN	ORN	WHT	KHK	WHT-RED	WHT-BLK
2	Stator Exit 2 Blue Shrink Tube													
Ring No.	2	6	10	14	18	22	26	30	34	38	42	46	50	54
Color Code	RED	GRN	YEL	PUP	GRY	BLK	BLU	DBLU	BRN	ORN	WHT	KHK	WHT-RED	WHT-BLK
3	Stator Exit 1 Green Shrink Tube													
Ring No.	3	7	11	15	19	23	27	31	35	39	43	47	51	55
Color Code	RED	GRN	YEL	PUP	GRY	BLK	BLU	DBLU	BRN	ORN	WHT	KHK	WHT-RED	WHT-BLK
4	Stator Exit 2 Black Shrink Tube													
Ring No.	4	8	12	16	20	24	28	32	36	40	44	48	52	56
Color Code	RED	GRN	YEL	PUP	GRY	BLK	BLU	DBLU	BRN	ORN	WHT	KHK	WHT-RED	WHT-BLK

REVISIONS				
ZONE	REV.	DESCRIPTION	DATE	APPROVED
	1	Customer Information		



TECHNICAL DATA	
NUMBER OF CIRCUITS	56
RATED VOLTAGE	240 VDC/AC
DIELECTRIC STRENGTH	500VAC@50Hz
RATED CURRENT	2A/RING
NOMINAL SPEED	0-300 RPM
INSULATION RESISTANCE	1000 MΩ/500VDC
DYNAMIC CONTACT RESISTANCE	<10 mΩ
CONTACT MATERIAL SURFACE	GOLD-GOLD
LEAD	26 AWG, COLOR CODE, SILVER PLATED, PTFE INSULATED LEAD WIRES
STANDARD LEAD LENGTH	250MM (OTHER LENGTHS ON REQUEST)
TEMPERATURE	-20°C to + 80°C standard
BEARINGS	MINIATURE, PRECISION STEEL BEARINGS
HOUSING	Aluminum
PROTECTION	IP51

THIS DRAWING CONTAINS PROPRIETARY INFORMATION OF THE ORBEX GROUP AND MAY NOT BE IN WHOLE OR IN PART DUPLICATED OR DISCLOSED OR USED FOR MANUFACTURE OF ANY PART DISCLOSED HEREIN WITHOUT WRITTEN PERMISSION OF THE ORBEX GROUP.

CONFIDENTIAL

UNLESS OTHERWISE SPECIFIED: DRAWING SYMBOLS & TOLERANCES PER ANSI Y14.5 DIMENSIONS ARE METRIC TOLERANCES: DECIMALS LINEAR ANGULAR .X ±0.2 ±0.5DEG .XX ±0.02 ±0.2DEG .XXX ±0.005 ±0.01DEG		Orbex Group	
INTERPRET GEOMETRIC TOLERANCING PER: ANSI Y14.5		TITLE: Slip Ring	
MATERIAL SEE CHART	SIZE B	PRT. NO. 325M1-5600	REV 1
FINISH CLEAN	DRAWN MRJ 3/28/2014	SCALE: 1:2	SHEET 1 OF 2