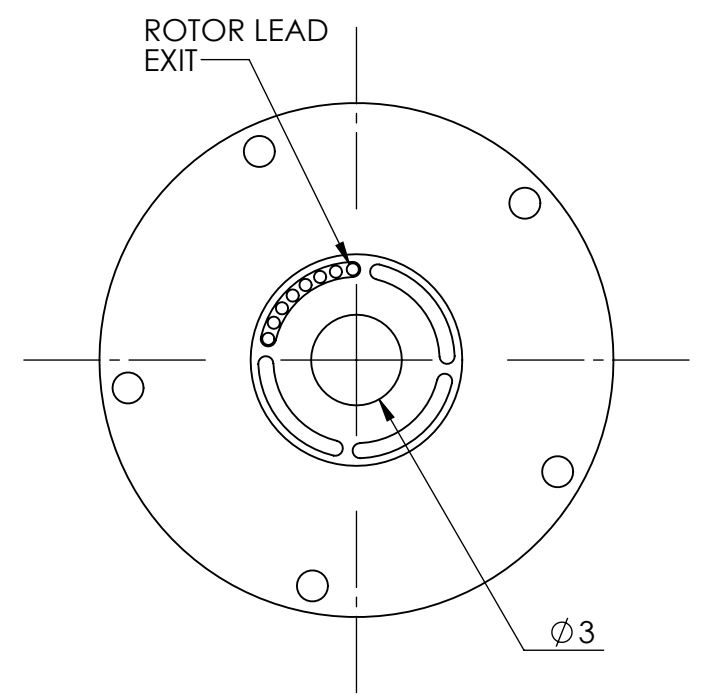
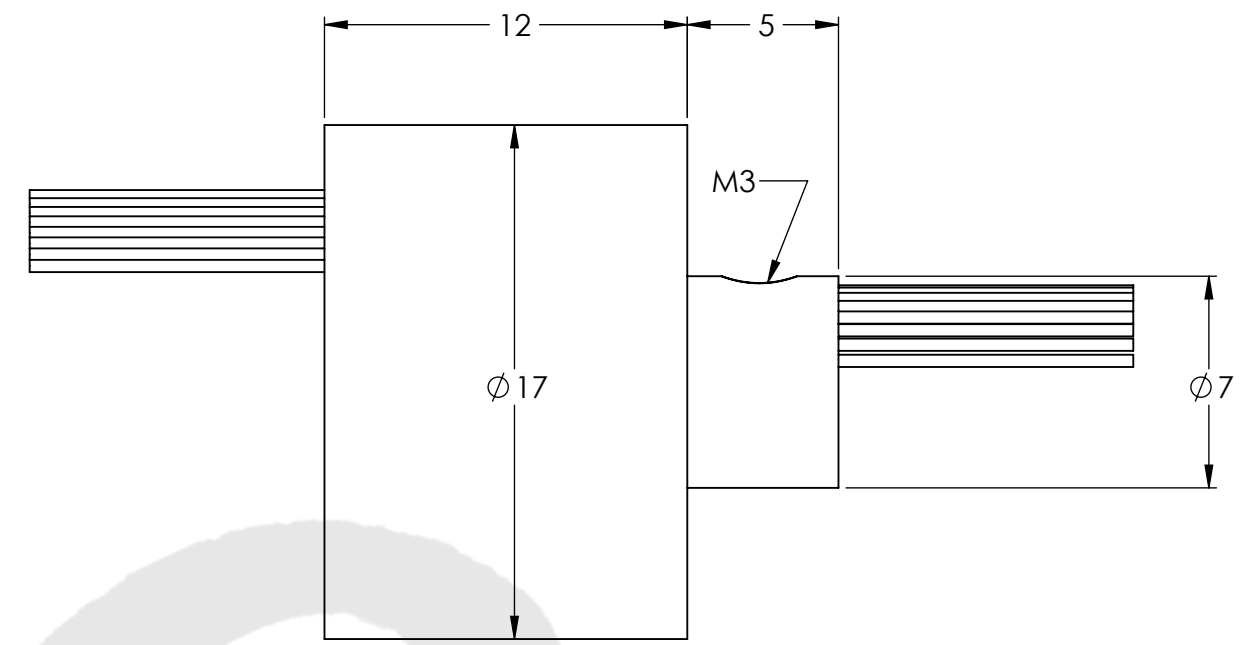
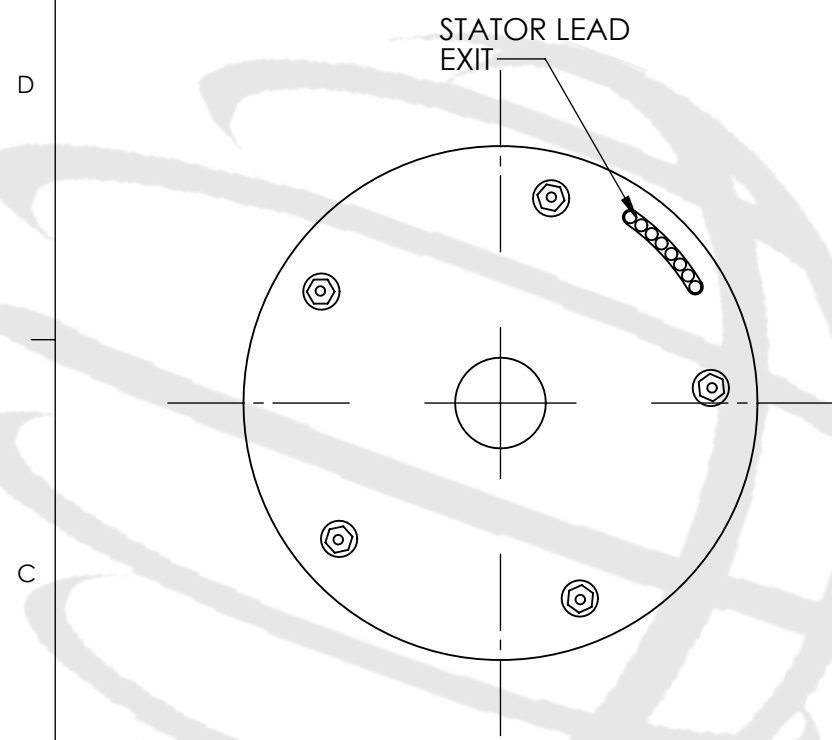
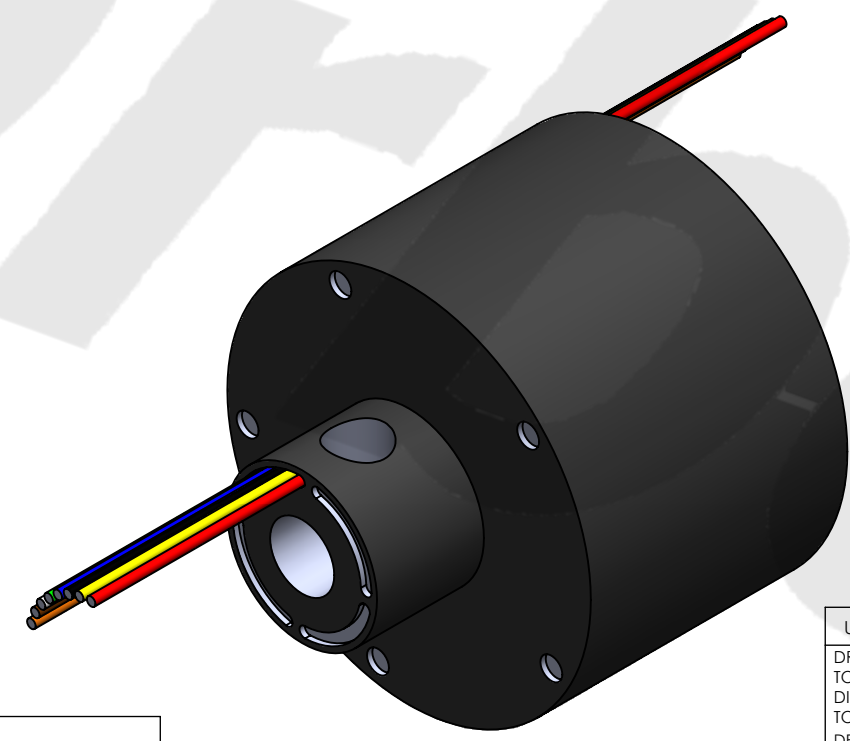


REVISIONS				
ZONE	REV.	DESCRIPTION	DATE	APPROVED
	1	Customer Information	1/1/2014	WRH



ROTOR AND STATOR LEADS FOR VISUALIZATION ONLY. TRUE NUMBERS, ORIENTATION, SIZE, LOCATION, AND COLORS CAN VARY BASED ON SPECIFICATIONS. ROTOR AND STATOR EXIT POINTS NOTED.



WIRE COLOR CODE	
1. RED	2. YELLOW

TECHNICAL DATA	
NUMBER OF CIRCUITS	2 SIGNAL CIRCUITS
RATED VOLTAGE	240 VAC
DIELECTRIC STRENGTH	500VAC@50Hz,60s
RATED CURRENT	2A/RING
NOMINAL SPEED	0-300 RPM
INSULATION RESISTANCE	1000 MΩ/500VDC
DYNAMIC CONTACT RESISTANCE	<10 mΩ
CONTACT MATERIAL SURFACE	PRECIOUS METALS
LEAD	26 AWG SILVER PLATED COPPER, COLOR CODED, PTFE INSULATED LEAD WIRES
STANDARD LEAD LENGTH	250mm
TEMPERATURE	-20°C to + 80°C
BEARINGS	MINIATURE, PRECISION STEEL BEARINGS
HOUSING	ABS PLASTIC
PROTECTION	IP51

UNLESS OTHERWISE SPECIFIED:  
DRAWING SYMBOLS & TOLERANCES PER ANSI Y14.5  
DIMENSIONS ARE METRIC  
TOLERANCES:  
DECIMALS    LINEAR    ANGULAR  
.X            ±0.2            ±0.5DEG  
.XX          ±0.02          ±0.2DEG  
.XXX        ±0.005        ±0.01DEG



TITLE:  
**Slip Ring**

THIS DRAWING CONTAINS PROPRIETARY INFORMATION OF THE ORBEX GROUP AND MAY NOT BE IN WHOLE OR IN PART DUPLICATED OR DISCLOSED OR USED FOR MANUFACTURE OF ANY PART DISCLOSED HEREIN WITHOUT WRITTEN PERMISSION OF THE ORBEX GROUP.  
**CONFIDENTIAL**

INTERPRET GEOMETRIC TOLERANCING PER: ANSI Y14.5  
MATERIAL: SEE CHART  
FINISH: CLEAN  
DRAWN: MRJ 12/18/2013

SIZE	PRT. NO.	REV
<b>B</b>	<b>503-0200</b>	<b>CI</b>
SCALE: 4:1	SHEET 1 OF 1	