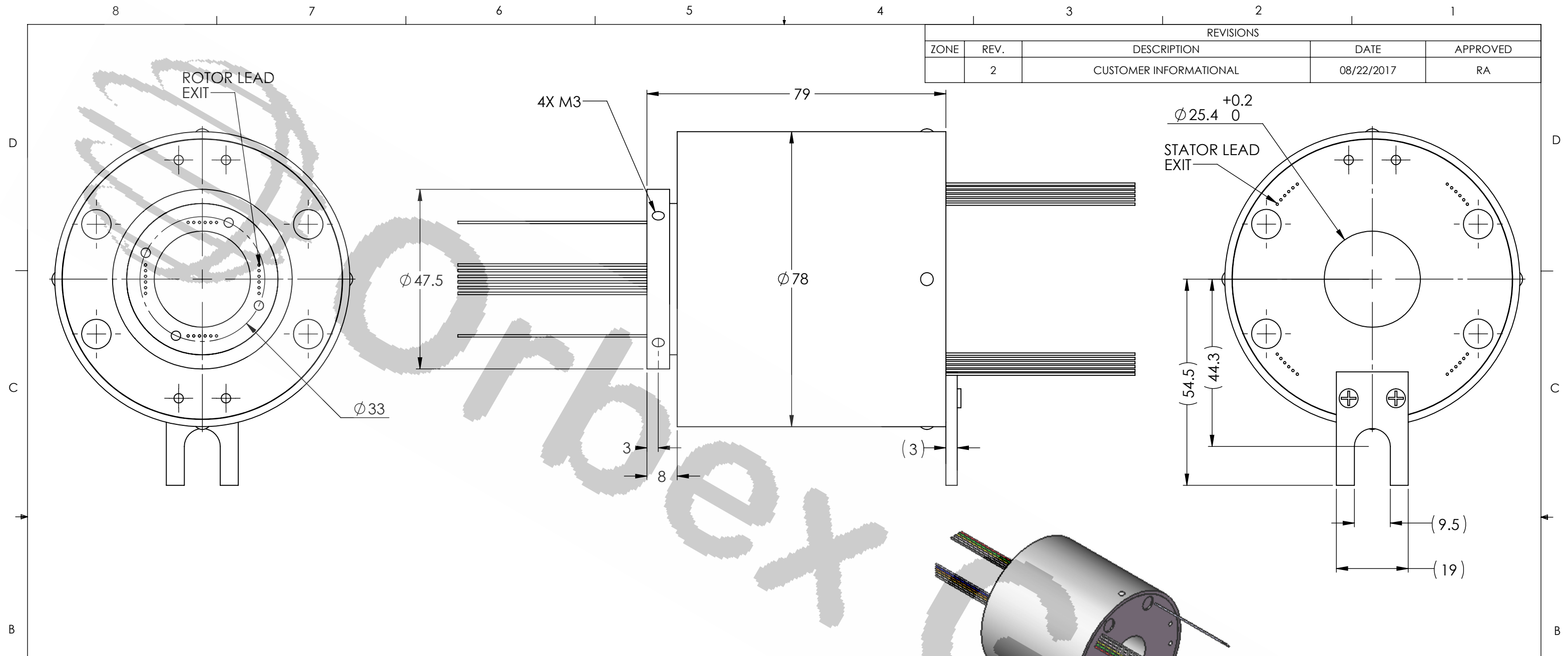


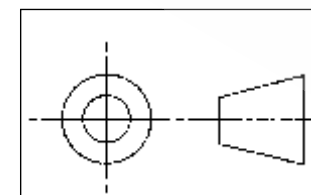
REVISIONS				
ZONE	REV.	DESCRIPTION	DATE	APPROVED
	2	CUSTOMER INFORMATIONAL	08/22/2017	RA



NOTE: FOR 15 AMP POWER CIRCUITS, ADD "-B" TO PART NUMBER.

TECHNICAL DATA	
NUMBER OF CIRCUITS	24
RATED VOLTAGE	240 VAC
DIELECTRIC STRENGTH	500VAC@50Hz,60s
RATED CURRENT	2A/RING
NOMINAL SPEED	250 RPM
INSULATION RESISTANCE	>500 MΩ/500VDC
DYNAMIC CONTACT RESISTANCE	<10 mΩ
LEADS	TEFLON
LEAD LENGTH	500mm
TEMPERATURE	-20°C to + 80°C
BEARINGS	STAINLESS STEEL BALL BEARING
HOUSING	ENGINEERED PLASTIC
PROTECTION	IP51

WIRE COLOR CODE	
SIGNAL(24), AWG22	
1/13. RED	2/14. YELLOW
3/15. BLACK	4/16. BLUE
5/17. GREEN	6/18. WHITE
7/19. PURPLE	8/20. GRAY
9/21. BROWN	10/22. ORANGE
11/23. DARK BLUE	12/24. KHAKI



THIS DRAWING CONTAINS PROPRIETARY INFORMATION OF THE ORBEX GROUP AND MAY NOT BE IN WHOLE OR IN PART DUPLICATED OR DISCLOSED OR USED FOR MANUFACTURE OF ANY PART DISCLOSED HEREIN WITHOUT WRITTEN PERMISSION OF THE ORBEX GROUP.

**CONFIDENTIAL**

UNLESS OTHERWISE SPECIFIED: ANGLE: ±0.5°	
LINEAR DIMENSION:	
0.5-6	±0.1
>6-30	±0.2
>30-120	±0.3
>120-400	±0.5
>400-1000	±0.8
>1000-2000	±1.2
>2000-4000	±2
MATERIAL	SEE CHART
FINISH	CLEAN
DRAWN	Sun KPO 08/22/2017



TITLE: <b>SLIP RING</b>		
SIZE <b>B</b>	PRT. NO. <b>525-2400</b>	REV <b>2</b>
SCALE: NTS		SHEET 1 OF 1