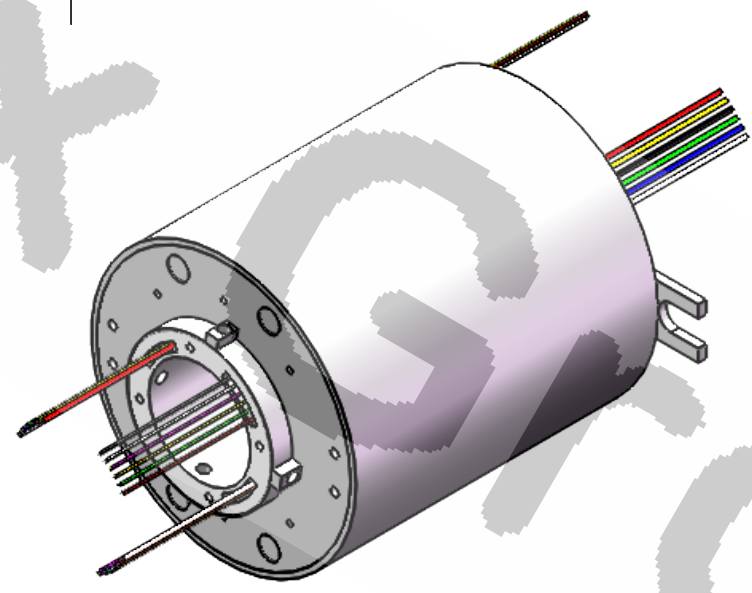
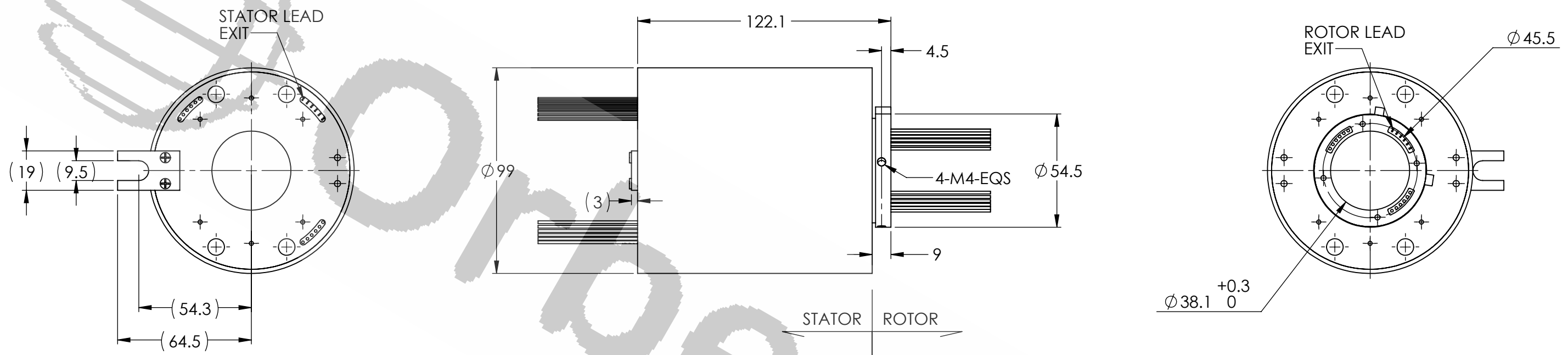


REVISIONS				
ZONE	REV.	DESCRIPTION	DATE	APPROVED
	2	CUSTOMER INFORMATIONAL	08/29/2017	RA



NOTE: FOR 15 AMP POWER CIRCUITS, ADD "-B" TO PART NUMBER

TECHNICAL DATA	
NUMBER OF CIRCUITS	24 (12 SIGNAL/12 POWER)
RATED VOLTAGE	460VAC(POWER)/240 VAC(SIGNAL)
DIELECTRIC STRENGTH	500VAC@ 50Hz, 60s
RATED CURRENT (POWER)	10A
RATED CURRENT (SIGNAL)	2A
NOMINAL SPEED	250 RPM
INSULATION RESISTANCE	>500 MΩ/500VDC
DYNAMIC CONTACT RESISTANCE	<10 mΩ
CONTACT MATERIAL SURFACE	PRECIOUS METAL
LEAD	TEFLON 16 AWG POWER/26 AWG SIGNAL
LEAD LENGTH	500mm
TEMPERATURE	-20°C to + 80°C
BEARINGS	STAINLESS STEEL BALL BEARINGS
HOUSING	ALUMINUM (BLACK ANODIZED)
PROTECTION	IP65

WIRE COLOR CODE	
16 AWG (POWER) 26 AWG (SIGNAL)	
1. RED	2. YELLOW
3. BLACK	4. BLUE
5. GREEN	6. WHITE
7. PURPLE	8. GRAY
9. BROWN	10. ORANGE
11. DARK BLUE	12. KHAKI



THIS DRAWING CONTAINS PROPRIETARY INFORMATION OF THE ORBEX GROUP AND MAY NOT BE IN WHOLE OR IN PART DUPLICATED OR DISCLOSED OR USED FOR MANUFACTURE OF ANY PART DISCLOSED HEREIN WITHOUT WRITTEN PERMISSION OF THE ORBEX GROUP.

**CONFIDENTIAL**

UNLESS OTHERWISE SPECIFIED: ANGLE: ±0.5°	
LINEAR DIMENSION:	
0.5-6	±0.1
>6-30	±0.2
>30-120	±0.3
>120-400	±0.5
>400-1000	±0.8
>1000-2000	±1.2
>2000-4000	±2
MATERIAL	SEE CHART
FINISH	CLEAN
DRAWN	Sun KPO 08/29/2017

**Orbex Group**

TITLE: **SLIP RING**

SIZE **B** PRT. NO. **538-1212-F** REV **2**

SCALE: 1:1 SHEET 1 OF 1