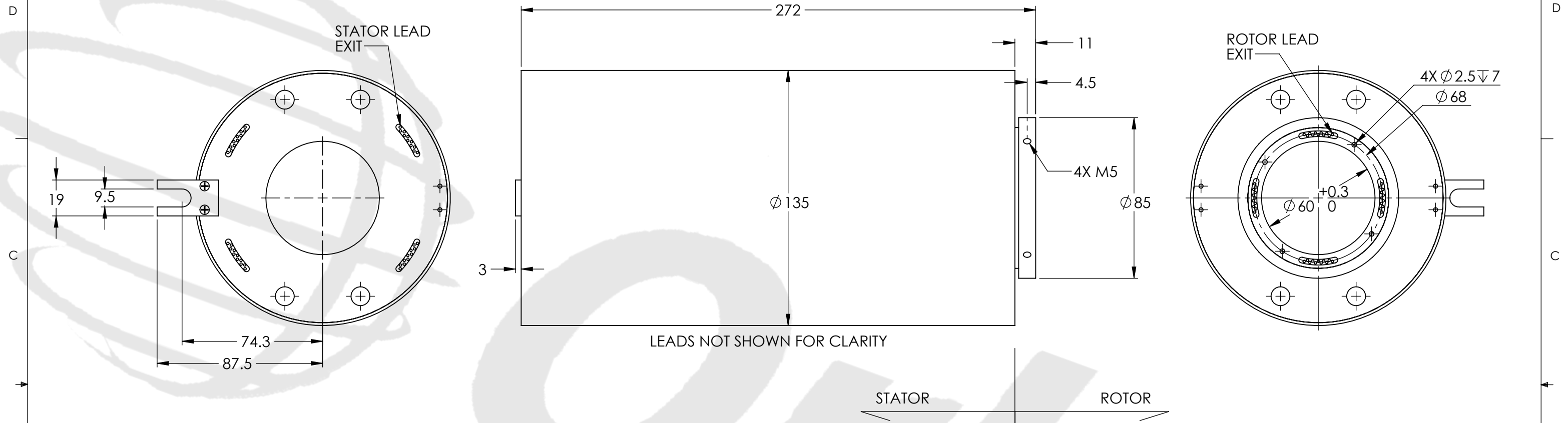
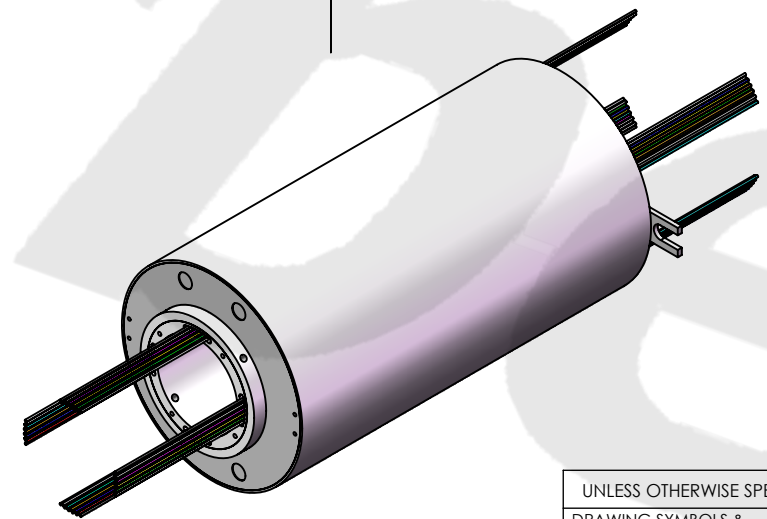


| REVISIONS | | | | |
|-----------|------|----------------------|----------|----------|
| ZONE | REV. | DESCRIPTION | DATE | APPROVED |
| | 1 | Customer Information | 1/1/2014 | WRH |



| TECHNICAL DATA | |
|----------------------------|---|
| NUMBER OF CIRCUITS | 42 |
| RATED VOLTAGE | 380 VAC |
| DIELECTRIC STRENGTH | 500VAC@50Hz,60s |
| RATED CURRENT | 10A/RING |
| NOMINAL SPEED | 0-500 RPM |
| INSULATION RESISTANCE | ≥500 MΩ/500VDC |
| DYNAMIC CONTACT RESISTANCE | <10 mΩ |
| CONTACT MATERIAL SURFACE | PRECIOUS METALS |
| LEAD | 16 AWG TINNED, COLOR CODED, PTFE INSULATED LEAD WIRES |
| STANDARD LEAD LENGTH | 500mm |
| TEMPERATURE | -20°C to + 80°C |
| BEARINGS | MINIATURE, PRECISION STEEL BEARINGS |
| HOUSING | ABS PLASTIC |
| PROTECTION | IP65 |

| WIRE COLOR CODE | |
|---------------------|--------------------|
| 1/13/25/37. RED | 2/14/26/38. YELLOW |
| 3/15/27/39. BLACK | 4/16/28/40. BLUE |
| 5/17/29/41. GREEN | 6/18/30/42. WHITE |
| 7/19/31. PURPLE | 8/20/32. GRAY |
| 9/21/33. BROWN | 10/22/34. ORANGE |
| 11/23/35. DARK BLUE | 12/24/36. KHAKI |



UNLESS OTHERWISE SPECIFIED:
DRAWING SYMBOLS & TOLERANCES PER ANSI Y14.5
DIMENSIONS ARE METRIC
TOLERANCES:
DECIMALS LINEAR ANGULAR
.X ±0.2 ±0.5DEG
.XX ±0.02 ±0.2DEG
.XXX ±0.005 ±0.01DEG

INTERPRET GEOMETRIC TOLERANCING PER: ANSI Y14.5

MATERIAL SEE CHART
FINISH CLEAN
DRAWN MRJ 5/5/2014

Orbex Group

TITLE: Slip Ring

SIZE **B** PRT. NO. **560-0042-F** REV **1**

SCALE: 1:2 SHEET 1 OF 1

THIS DRAWING CONTAINS PROPRIETARY INFORMATION OF THE ORBEX GROUP AND MAY NOT BE IN WHOLE OR IN PART DUPLICATED OR DISCLOSED OR USED FOR MANUFACTURE OF ANY PART DISCLOSED HEREIN WITHOUT WRITTEN PERMISSION OF THE ORBEX GROUP.

CONFIDENTIAL