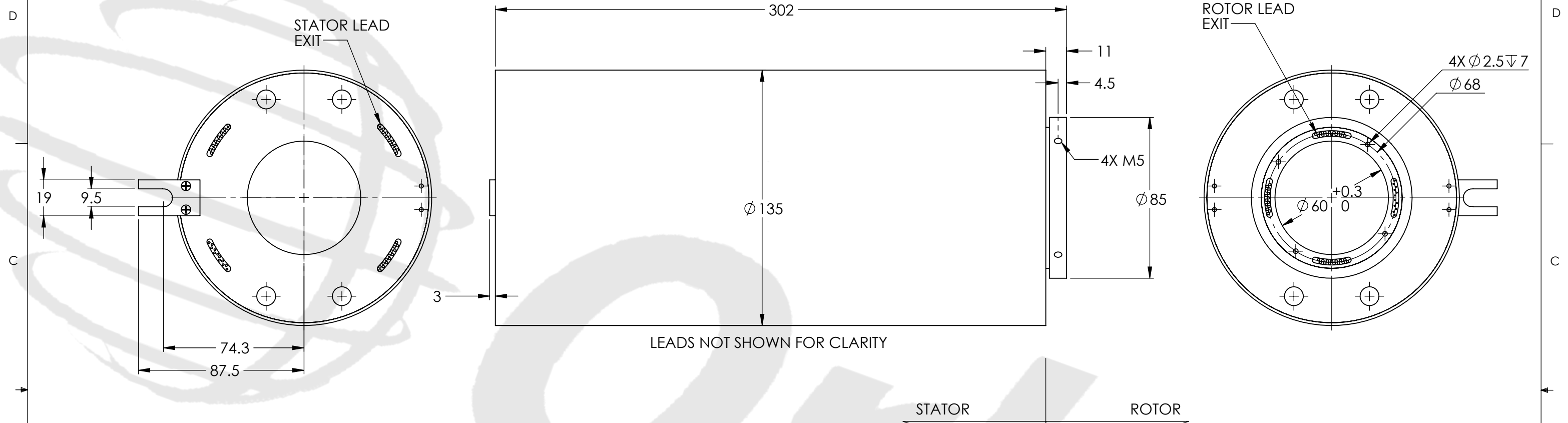


REVISIONS				
ZONE	REV.	DESCRIPTION	DATE	APPROVED
	1	Customer Information	1/1/2014	WRH

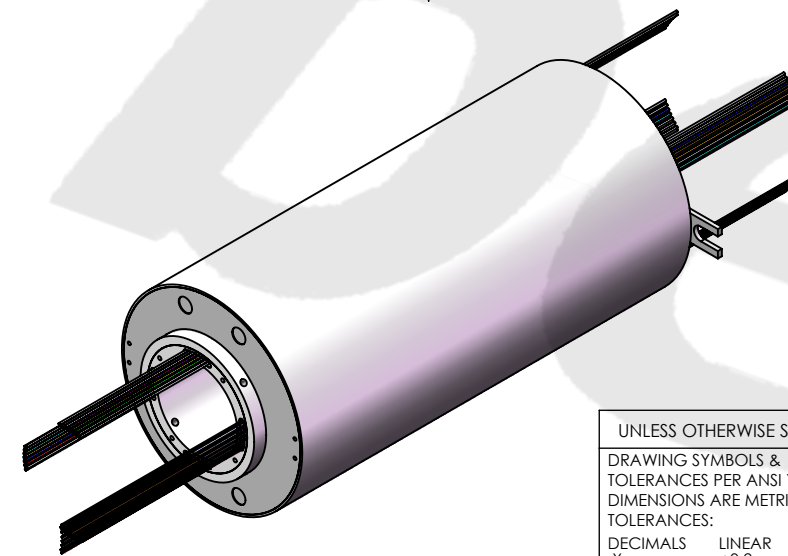


TECHNICAL DATA

NUMBER OF CIRCUITS	54 (12 SIGNAL, 42 POWER)
RATED VOLTAGE	380 VAC (POWER)/240 VAC/VDC (SIGNAL)
DIELECTRIC STRENGTH	500VAC@50Hz,60s
RATED CURRENT	2A/RING (SIGNAL), 10A/RING (POWER)
NOMINAL SPEED	0-500 RPM
INSULATION RESISTANCE	≥1000 MΩ/500VDC (SIGNAL), ≥500 MΩ/500VDC (POWER)
DYNAMIC CONTACT RESISTANCE	<10 mΩ
CONTACT MATERIAL SURFACE	PRECIOUS METALS
LEAD	22 AWG SILVER PLATED AND 16 AWG TINNED, COLOR CODED, PTFE INSULATED LEAD WIRES
STANDARD LEAD LENGTH	500mm
TEMPERATURE	-20°C to + 80°C
BEARINGS	MINIATURE, PRECISION STEEL BEARINGS
HOUSING	ABS PLASTIC
PROTECTION	IP65

WIRE COLOR CODE

16 AWG (42 POWER CIRCUITS)	
1/13/25/37. RED	2/14/26/38. YELLOW
3/15/27/39. BLACK	4/16/28/40. BLUE
5/17/29/41. GREEN	6/18/30/42. WHITE
7/19/31. PURPLE	8/20/32. GRAY
9/21/33. BROWN	10/22/34. ORANGE
11/23/35. DARK BLUE	12/24/36. KHAKI
22 AWG (12 SIGNAL CIRCUITS)	
1. RED	2. YELLOW
3. BLACK	4. BLUE
5. GREEN	6. WHITE
7. PURPLE	8. GRAY
9. BROWN	10. ORANGE
11. DARK BLUE	12. KHAKI



UNLESS OTHERWISE SPECIFIED:

DRAWING SYMBOLS & TOLERANCES PER ANSI Y14.5  
DIMENSIONS ARE METRIC  
TOLERANCES:  
DECIMALS    LINEAR    ANGULAR  
.X            ±0.2            ±0.5DEG  
.XX          ±0.02          ±0.2DEG  
.XXX        ±0.005        ±0.01DEG

INTERPRET GEOMETRIC TOLERANCING PER: ANSI Y14.5

MATERIAL    SEE CHART

FINISH        CLEAN

DRAWN        MRJ    5/5/2014



TITLE:

Slip Ring

SIZE    PRT. NO.    REV

**B**    560-1242-F    **1**

SCALE: 1:2    SHEET 1 OF 1

THIS DRAWING CONTAINS PROPRIETARY INFORMATION OF THE ORBEX GROUP AND MAY NOT BE IN WHOLE OR IN PART DUPLICATED OR DISCLOSED OR USED FOR MANUFACTURE OF ANY PART DISCLOSED HEREIN WITHOUT WRITTEN PERMISSION OF THE ORBEX GROUP.  
**CONFIDENTIAL**