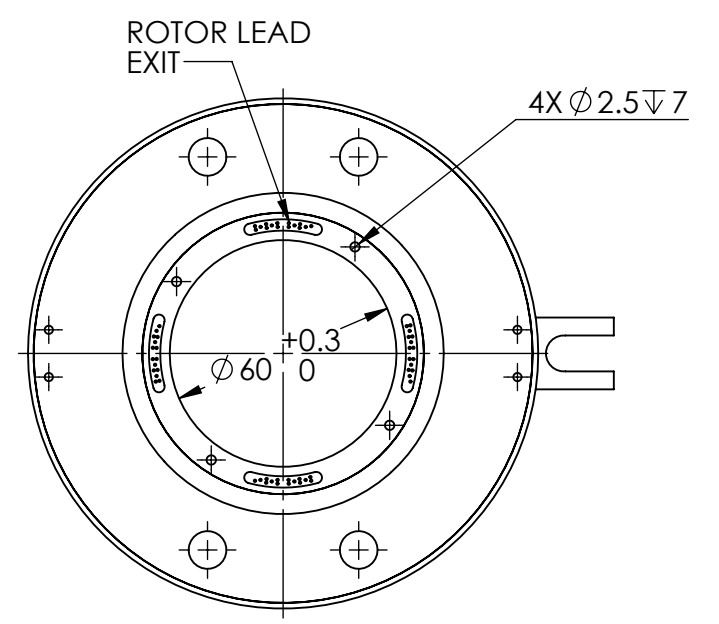
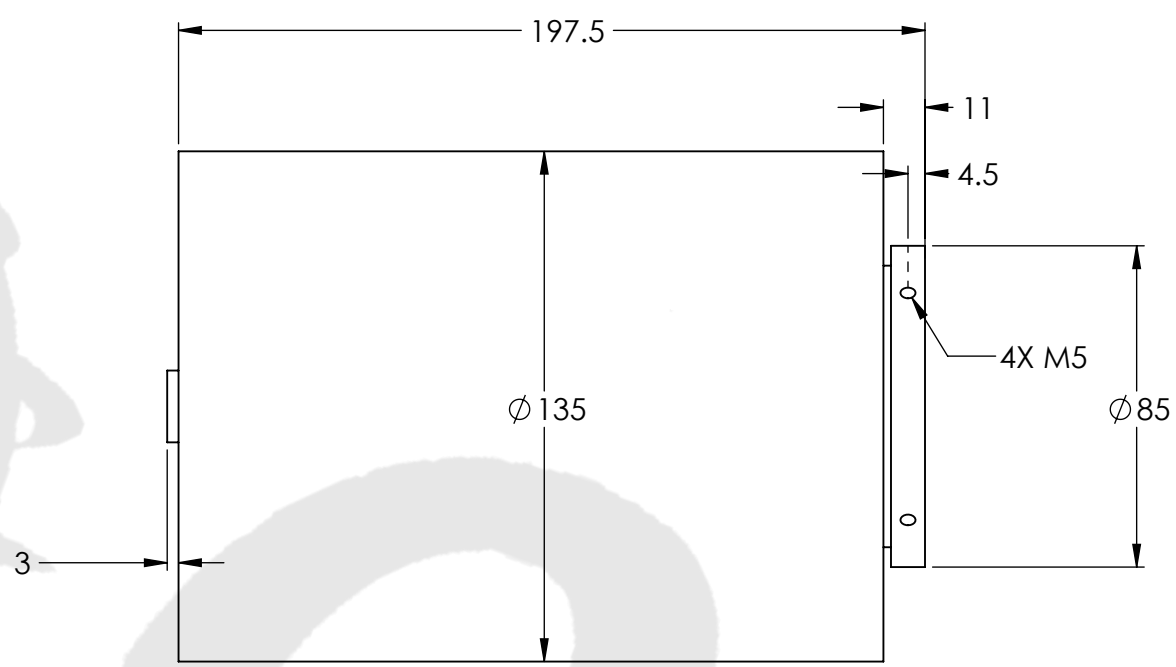
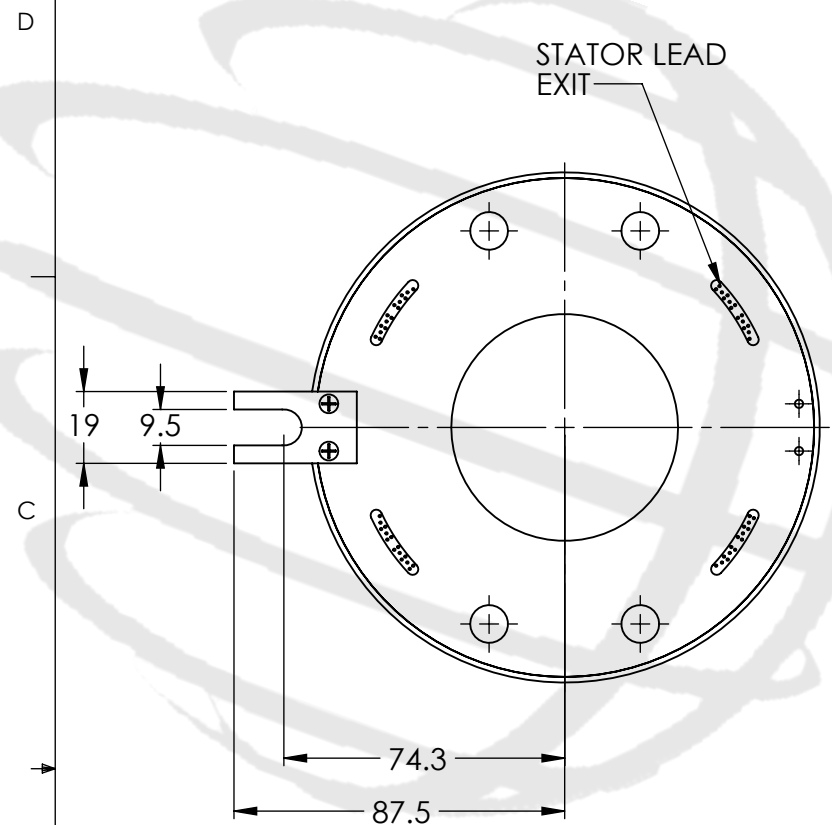
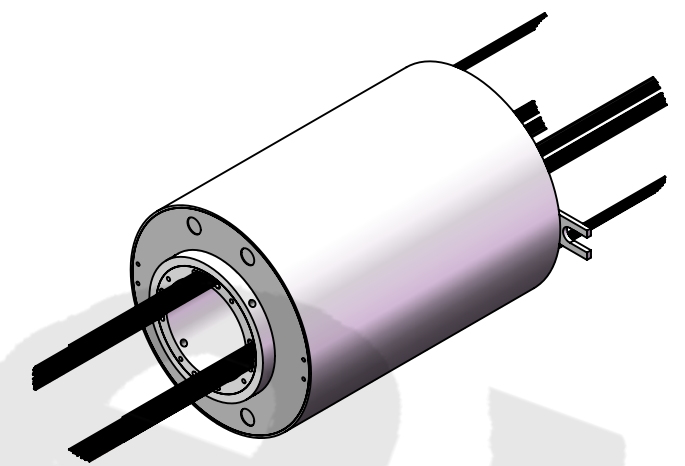


REVISIONS				
ZONE	REV.	DESCRIPTION	DATE	APPROVED
	1	Customer Information	1/1/2014	WRH



STATOR ROTOR



TECHNICAL DATA	
NUMBER OF CIRCUITS	60
RATED VOLTAGE	240 VAC/VDC
DIELECTRIC STRENGTH	500VAC@50Hz,60s
RATED CURRENT	2A/RING
NOMINAL SPEED	0-500 RPM
INSULATION RESISTANCE	$\geq 1000 \text{ M}\Omega/500\text{VDC}$
DYNAMIC CONTACT RESISTANCE	$< 10 \text{ m}\Omega$
CONTACT MATERIAL SURFACE	PRECIOUS METALS
LEAD	22 AWG SILVER PLATED, COLOR CODED, PTFE INSULATED LEAD WIRES
STANDARD LEAD LENGTH	500mm
TEMPERATURE	-20°C to + 80°C
BEARINGS	MINIATURE, PRECISION STEEL BEARINGS
HOUSING	ABS PLASTIC
PROTECTION	IP51

WIRE COLOR CODE	
1/13/25/37/49. RED	2/14/26/38/50. YELLOW
3/15/27/39/51. BLACK	4/16/28/40/52. BLUE
5/17/29/41/53. GREEN	6/18/30/42/54. WHITE
7/19/31/43/55. PURPLE	8/20/32/44/56. GRAY
9/21/33/45/57. BROWN	10/22/34/46/58. ORANGE
11/23/35/47/59. DARK BLUE	12/24/36/48/60. KHAKI

THIS DRAWING CONTAINS PROPRIETARY INFORMATION OF THE ORBEX GROUP AND MAY NOT BE IN WHOLE OR IN PART DUPLICATED OR DISCLOSED OR USED FOR MANUFACTURE OF ANY PART DISCLOSED HEREIN WITHOUT WRITTEN PERMISSION OF THE ORBEX GROUP.

**CONFIDENTIAL**

UNLESS OTHERWISE SPECIFIED: DRAWING SYMBOLS & TOLERANCES PER ANSI Y14.5 DIMENSIONS ARE METRIC TOLERANCES: DECIMALS    LINEAR    ANGULAR .X            ±0.2            ±0.5DEG .XX          ±0.02          ±0.2DEG .XXX        ±0.005        ±0.01DEG		<b>Orbex Group</b>	
INTERPRET GEOMETRIC TOLERANCING PER: ANSI Y14.5		TITLE: <b>Slip Ring</b>	
MATERIAL SEE CHART	SIZE <b>B</b>	PRT. NO. <b>560-6000</b>	REV <b>1</b>
FINISH CLEAN	DRAWN MRJ 1/30/2014	SCALE: 1:2	SHEET 1 OF 1