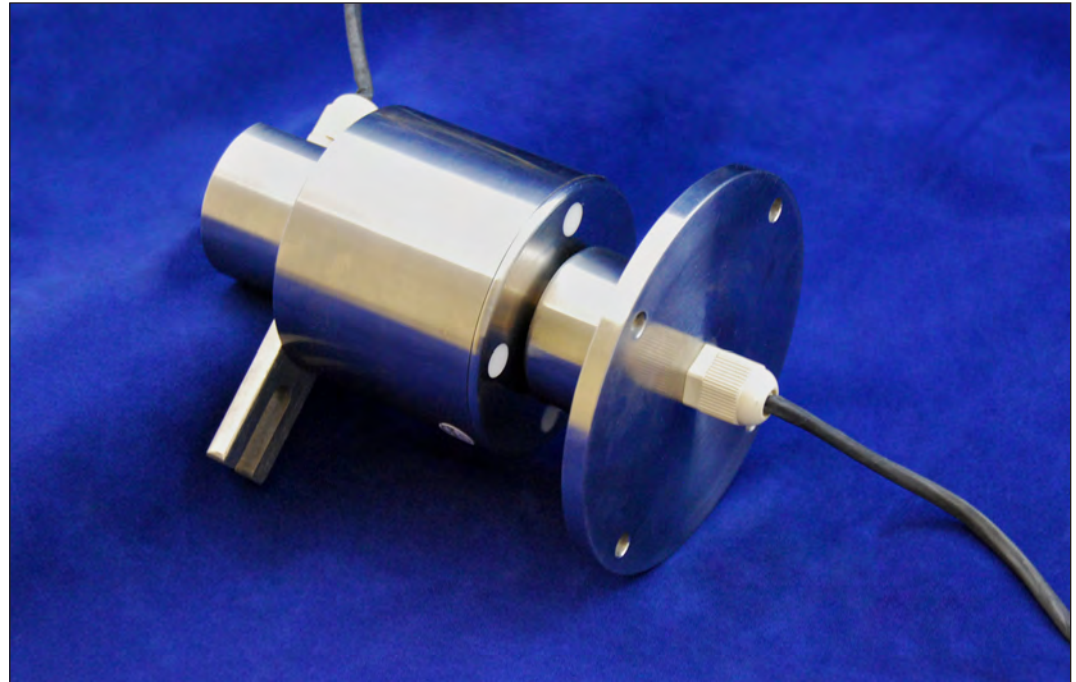




**Orbex Group**

Revolution In Motion



# Harsh Environment Slip Rings

200 Series

- **Stainless Steel Construction**
- **IP65 Sealing**
- **Modular Configurations with signal and power circuits**
- **Long Life**
- **High Reliability**
- **CE and ROHS Compliant**

## **Orbex Group**

46740 Lakeview Blvd.  
Fremont, CA 94538  
(408) 945-8980

[www.slipring.com](http://www.slipring.com)



## 200 Series

Slip rings are commonly used to transfer electrical signals and power to a rotating shaft.

The Orbex 200 series is designed with a stainless steel housing and IP65 sealing to survive in the harshest environments. Life is increased by utilizing noble metal alloys on the contacts, and the exclusive channeled brush technology allowing multiple contact points and reduction in contact force.

A modular design allows for the combination of signal circuits and power circuits in the same slip ring as well as making different connector and termination options possible.

### Typical Applications

- Cable Reels
- Shipboard Devices
- Food and Beverage Machinery
- Robotics
- Remotely Operated Vehicles
- Packaging Machinery
- Down Hole applications
- Process Control Equipment

### Standard Specifications

Standard Specifications	
Number of Rings	2-48
Voltage	400 VAC
Rated Current	5 A/ring
High Pot	1000 VAC@60 Hz.
Insulation Resistance	>1000MΩ/500 VDC
Operating Speed	0-400 rpm
Contact Materials	Silver Alloy
Housing Material	Stainless Steel
Bearings	Stainless Steel
Temperature Range	-40 °C to +80 °C
Protection	IP65

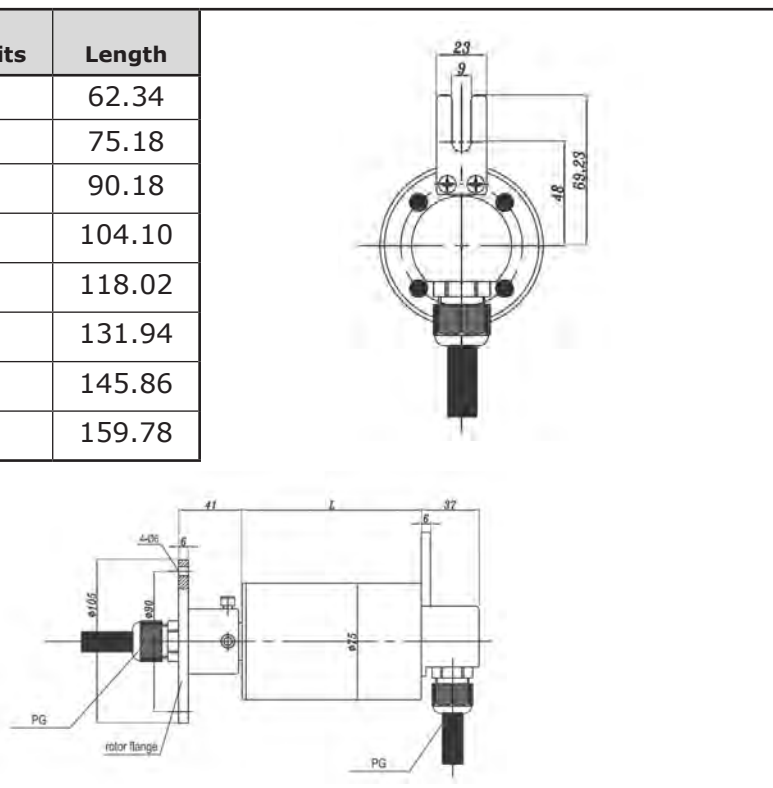
### Orbex Group

46740 Lakeview Blvd.  
Fremont, CA 94538  
(408) 945-8980

[www.slipring.com](http://www.slipring.com)

## 275 Series

Part Number	Circuits	Length
275-0600	6	62.34
275-1200	12	75.18
275-1800	18	90.18
275-2400	24	104.10
275-3000	30	118.02
275-3600	36	131.94
275-4200	42	145.86
275-4800	48	159.78



Other circuit counts and power levels available as options.

### Ordering Information

2AA-BBCCD-XXX

2-	200 Series Slip ring	XXX-	Customer modifier
AA-	Body Diameter	D-	Current rating of per circuits
BB-	Number of Circuits rated 5 amps	A=	10 amps.
CC-	Number of power circuits rated higher than 5 amps.	B=	15 amps.
		C=	20 amps.

**Contact us for CAD files and solid models.**

### Orbex Group

46740 Lakeview Blvd.  
 Fremont, CA 94538  
 (408) 945-8980

[www.slipring.com](http://www.slipring.com)